



FEED AND BIOFUEL

STRONG AND EFFICIENT PELLET CRUMBLING

SHANGHAI CRUMBLER TYPE SCR

ANDRITZ

ENGINEERED SUCCESS

Strong and efficient pellet crumbling

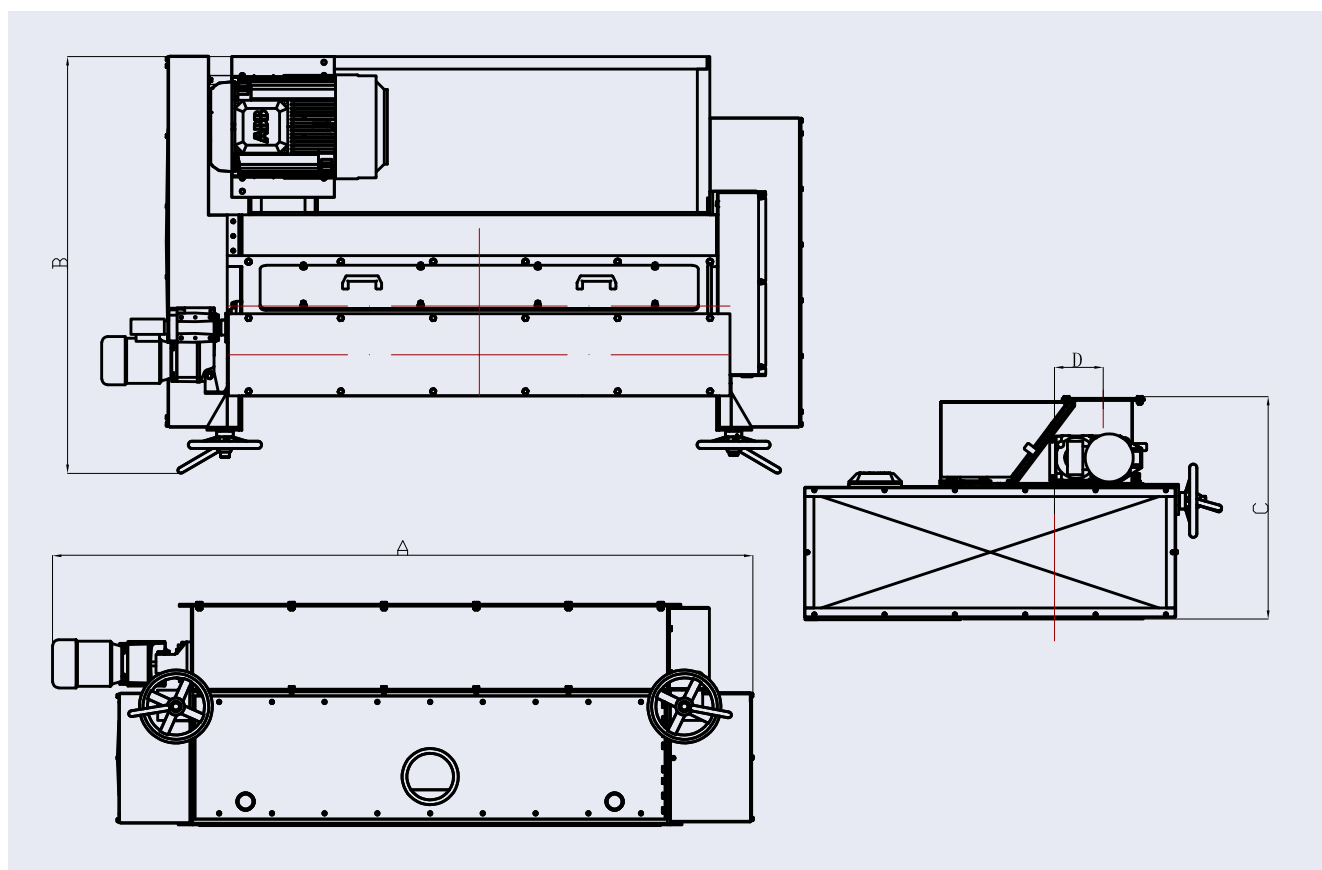
The ANDRITZ crumbler type SCR is superior at reducing pellets to particles of any desired size. The large portfolio of products assures producers achieve the correct size crumble from 5t/h up to 40t/h. The pneumatic diverter enables an efficient internal by-pass system while the adjustable roller gap allows the operator to fine-tune particle size distribution. Spring loaded rollers ensure that the machine and rollers do not encounter excessive damaged during overload or from foreign objects.

ANDRITZ manufactures a complete range of high-quality, high-capacity crumblers for crumbling animal feed pellets with a capacity ranging from 5 t/h to 40 t/h.

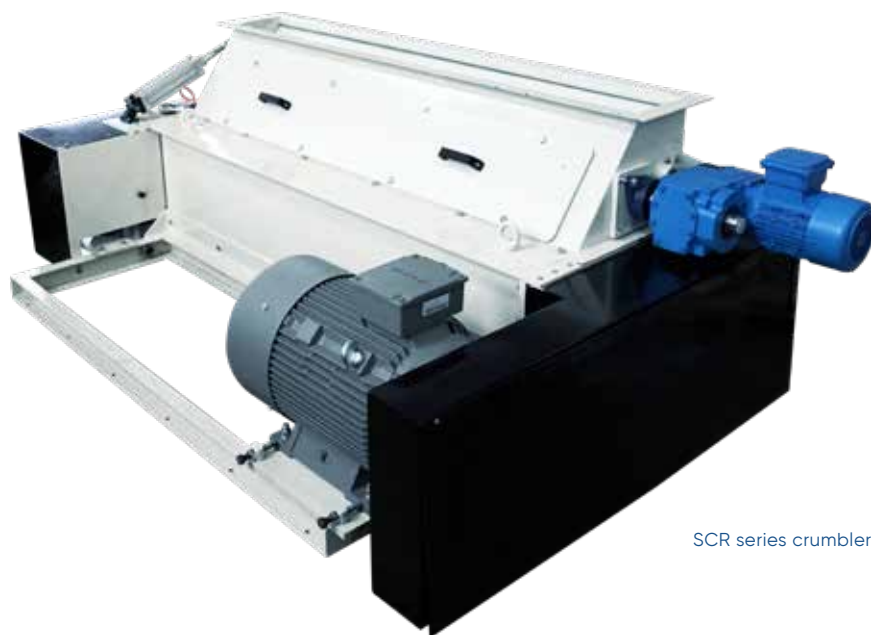
The ANDRITZ advanced feeding system provides precise, uniform feeding over the full length of the rolls, securing perfect performance, longest lifetime, and lowest energy consumption.

ANDRITZ testing tools are included with your new crumbler. The tools allow the operator to take samples during operation to ensure you have the perfect product.

ANDRITZ automatic roll adjustment system are controlled by the ANDRITZ advanced automation control system, which also provides individual settings for the crumbling process in order to obtain the perfect individual product. All features can also be easily added at a later date.



The crumbler type SCR enables by-pass, precisely adjustable rollers, integrated dual sampling spots and uniform feeding into spring loaded rollers.



SCR series crumbler

TECHNICAL SPECIFICATIONS

| Type | Motor | Roller diameter | Roller length | Velocity V-belt drive | Capacity Chicken feed | Distribution roller | Total weight |
|--------|-------|-----------------|---------------|-------------------------|-----------------------|---------------------|--------------|
| | kW | mm | mm | A:low rpm B:high rpm | t/h | kW | Kg |
| SCR80 | 7.5 | ø200 | 800 | A:460 ; B:600 | 8t/h | 0.75 (1.0HP) | 740 |
| SCR120 | 11 | ø200 | 1200 | A:460 ; B:600 | 12t/h | 0.75 (1.0HP) | 1100 |
| SCR160 | 22 | ø220 | 1600 | A:500 ; B:630 | 18t/h | 0.75 (1.0HP) | 1590 |

DIMENSION SIZE (MM)

| Model | A | B | C | D |
|--------|------|------|-----|-----|
| SCR80 | 1580 | 1370 | 690 | 166 |
| SCR120 | 1980 | 1370 | 690 | 166 |
| SCR160 | 2390 | 1422 | 759 | 166 |



GLOBAL SUPPLIER – LOCAL PRESENCE

With sales, service, engineering, manufacturing and production sites located all around the world, ANDRITZ Feed and Biofuel is truly a global organization with a local presence. ANDRITZ is vital to ensuring a reliable global supply of aqua feed, animal feed, pet food, and biofuel. With full process lines accounting for half the world's production of aqua feed and biomass alone, we continuously support leading producers in achieving the highest levels in safety, quality, and control from feedstock to final product.

How can we help grow your business?

ANDRITZ Feed and Biofuel A/S

Glentevej 5-7
6705 Esbjerg, Denmark
p: +45 72 160 300
andritz-fb.dk@andritz.com

ANDRITZ (Shanghai) Equipment & Engineering Co., LTD

No.2288, Rongle East Road, Songjiang,
201613, Shanghai, P.R.China
p: +86 21 57745781
andritz-fb.cn@andritz.com

AUSTRALIA

p: +61 3 8773 4888
andritz-fb.au@andritz.com

CHINA

p: +86 21 5774 5781
andritz-fb.cn@andritz.com

ITALY

p: +39 (0445) 575 695
andritz-fb.it@andritz.com

TURKEY

p: +90 232 570 38 00
andritz-fb.tr@andritz.com

BANGLADESH

p: +880 22 2226 4800
andritz-fb.bd@andritz.com

DUBAI

p: +971 4 299 5555
andritz-fb.uae@andritz.com

MEXICO

p: +52 443 323 1530 ext 364
andritz-fb.mx@andritz.com

UK

p: +44 1482 825119
andritz-fb.uk@andritz.com

BRAZIL

p: +55 47 3387 9146
andritz-fb.br@andritz.com

FRANCE

p: +33 24 75 06 364
andritz-fb.fr@andritz.com

NETHERLANDS

p: +31 40 2627777
andritz-fb.nl@andritz.com

USA

p: +1 570 546 1253
andritz-fb.us@andritz.com

CANADA

p: +1 519 676 7057
anbosales@andritz.com

GERMANY

p: +49 2104 9197 0
andritz-fb.de@andritz.com

POLAND

p: +48 60 906 1037
andritz-fb.pl@andritz.com

VIETNAM

p: +84 8 6253 9434
andritz-fb.vi@andritz.com

CHILE

p: +56 2 24624608
andritz-fb.cl@andritz.com

INDIA

p: +91 87544 15287
andritz-fb.india@andritz.com

SOUTH AFRICA

p: +27 82 781 0808
andritz-fb.za@andritz.com

ANDRITZ.COM/FT

JOIN US ON SOCIAL MEDIA



All data, information, statements, photographs and graphic illustrations in this leaflet are without any obligation and raise no liabilities to or form part of any sales contracts of ANDRITZ AG or any affiliates for equipment and/or systems referred to herein. © ANDRITZ AG 2021. All rights reserved. No part of this copyrighted work may be reproduced, modified or distributed in any form or by any means, or stored in any database or retrieval system, without the prior written permission of ANDRITZ AG or its affiliates. Due to legal requirements, we must inform you that ANDRITZ AG processes your data for the purposes informing you about the ANDRITZ GROUP and its activities. Find out more details about our data privacy declaration and your rights under the data protection legislation on our website: andritz.com/privacy. ANDRITZ AG, Stattegger Strasse 18, 8045 Graz, Austria.



3002 GB