



FEED AND BIOFUEL

COMPLETE, QUICK AND GENTLE COOLING

SHANGHAI COOLER TYPE SCCR AND SCCS

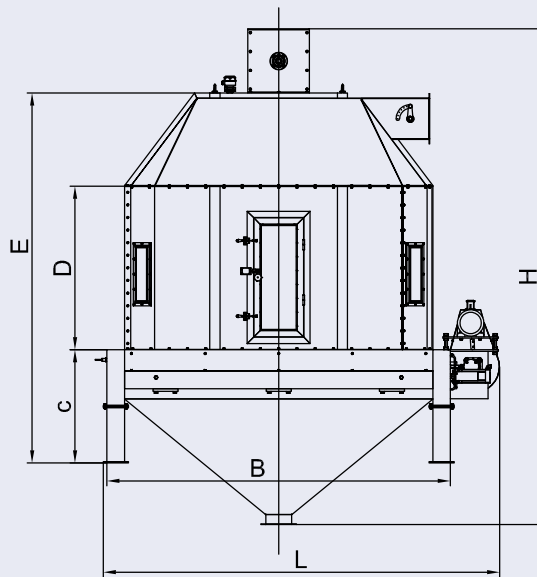
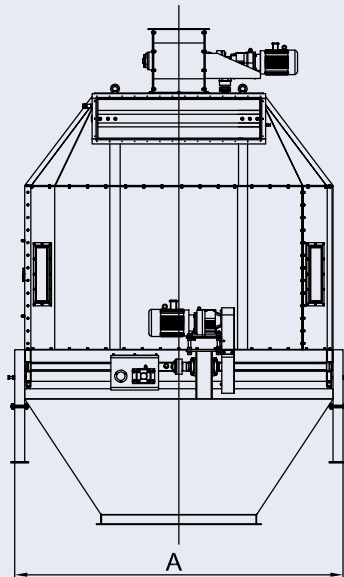
ANDRITZ

ENGINEERED SUCCESS

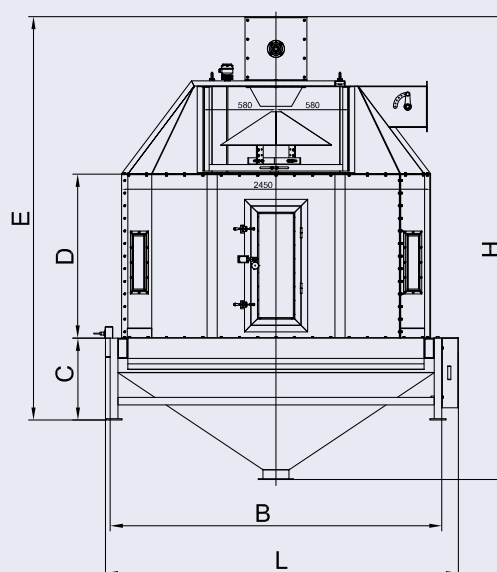
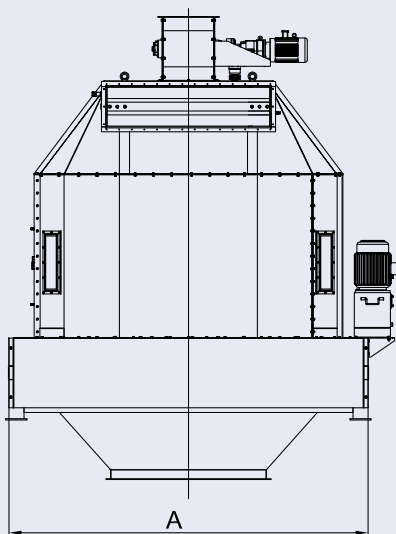
Complete, quick and gentle cooling

ANDRITZ SCCR and SCCS series counter-flow cooler minimizes the risk of cooling shock on pellets by using the simple counter-flow principle. This method allows air movement from the bottom of the cooler, as the pellets are moving downwards. This ensures the pellets reach ambient temperature while being discharged evenly and gently through the discharge grid, reducing pellets breakage and fines. Swivel valve and grid discharge mechanisms are available.

SCCS cooler



SCCR cooler



SCCS cooler



SCCR cooler



TECHNICAL SPECIFICATIONS

Model	Discharging mechanism	Airlock motor	Airlock material	Capacity		
		Power kW		t/h		
SCCS15	Grid	1.1	stainless steel	10	Adopt pneumatic movable adjustment device	Equipped with lower hopper
SCCS20	Grid	1.5	stainless steel	20	Adopt pneumatic movable adjustment device	Equipped with lower hopper
SCCR15	Swivel-valve	1.1	stainless steel	10	Equipped with hydraulic station: 1.5KW, with oil cylinder	Equipped with lower hopper and guard
SCCR20	Swivel-valve	1.5	stainless steel	20	Equipped with hydraulic station: 1.5KW, with oil cylinder	Equipped with lower hopper and guard
SCCR30	Swivel-valve	1.5	stainless steel	30	Equipped with hydraulic station: 1.5KW, with oil cylinder	Equipped with lower hopper and guard

DIMENSION SIZE (MM)

Model	A	B	L	H	C	D	E
SCCS15	2200	2300	2350	3680	900	1300	2890
SCCS20	2610	2730	2790	3940	900	1300	2940
SCCR15	2500	2260	2310	3572	650	1300	3100
SCCR20	2850	2630	2700	3672	650	1300	3200
SCCR30	3120	2900	3040	4272	650	1600	3500



GLOBAL SUPPLIER – LOCAL PRESENCE

With sales, service, engineering, manufacturing and production sites located all around the world, ANDRITZ Feed and Biofuel is truly a global organization with a local presence. ANDRITZ is vital to ensuring a reliable global supply of aqua feed, animal feed, pet food, and biofuel. With full process lines accounting for half the world's production of aqua feed and biomass alone, we continuously support leading producers in achieving the highest levels in safety, quality, and control from feedstock to final product.

How can we help grow your business?

ANDRITZ Feed and Biofuel A/S

Glentevej 5-7
6705 Esbjerg, Denmark
p: +45 72 160 300
andritz-fb.dk@andritz.com

ANDRITZ (Shanghai) Equipment & Engineering Co., LTD

No.2288, Rongle East Road, Songjiang,
201613, Shanghai, P.R.China
p: +86 21 57745781
andritz-fb.cn@andritz.com

AUSTRALIA

p: +61 3 8773 4888
andritz-fb.au@andritz.com

CHINA

p: +86 21 5774 5781
andritz-fb.cn@andritz.com

ITALY

p: +39 (0445) 575 695
andritz-fb.it@andritz.com

TURKEY

p: +90 232 570 38 00
andritz-fb.tr@andritz.com

BANGLADESH

p: +880 22 2226 4800
andritz-fb.bd@andritz.com

DUBAI

p: +971 4 299 5555
andritz-fb.uae@andritz.com

MEXICO

p: +52 443 323 1530 ext 364
andritz-fb.mx@andritz.com

UK

p: +44 1482 825119
andritz-fb.uk@andritz.com

BRAZIL

p: +55 47 3387 9146
andritz-fb.br@andritz.com

FRANCE

p: +33 24 75 06 364
andritz-fb.fr@andritz.com

NETHERLANDS

p: +31 40 2627777
andritz-fb.nl@andritz.com

USA

p: +1 570 546 1253
andritz-fb.us@andritz.com

CANADA

p: +1 519 676 7057
anbosales@andritz.com

GERMANY

p: +49 2104 9197 0
andritz-fb.de@andritz.com

POLAND

p: +48 60 906 1037
andritz-fb.pl@andritz.com

VIETNAM

p: +84 8 6253 9434
andritz-fb.vi@andritz.com

CHILE

p: +56 2 24624608
andritz-fb.cl@andritz.com

INDIA

p: +91 87544 15287
andritz-fb.india@andritz.com

SOUTH AFRICA

p: +27 82 781 0808
andritz-fb.za@andritz.com

ANDRITZ.COM/FT

JOIN US ON SOCIAL MEDIA



All data, information, statements, photographs and graphic illustrations in this leaflet are without any obligation and raise no liabilities to or form part of any sales contracts of ANDRITZ AG or any affiliates for equipment and/or systems referred to herein. © ANDRITZ AG 2021. All rights reserved. No part of this copyrighted work may be reproduced, modified or distributed in any form or by any means, or stored in any database or retrieval system, without the prior written permission of ANDRITZ AG or its affiliates. Due to legal requirements, we must inform you that ANDRITZ AG processes your data for the purposes informing you about the ANDRITZ GROUP and its activities. Find out more details about our data privacy declaration and your rights under the data protection legislation on our website: andritz.com/privacy. ANDRITZ AG, Stattegger Strasse 18, 8045 Graz, Austria.



3004 GB